

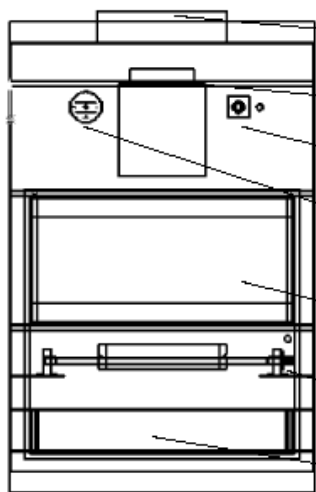
# PAS1100-P HEPA/UV AIR SOLUTION

## OVERVIEW

The PAS1100 is a highly effective portable air cleaning system designed for use in hospitals and medical facilities. Containing the technologies recommended by the CDC and Health Canada for infection control applications, the PAS1100-P can either exhaust air to create positive or negative pressure in high risk areas, or clean and recirculates room air.



PAS1100 with  
Negative Pressure Top



**FRONT VIEW**

- Two 12" Exhaust Collars**
- Four High performance fans**
- UV Indicator and power switch**
- Digital HEPA Monitor**
- 24 x 24 x 11 1/2" High Capacity HEPA. 99.99% @ .3 microns**
- 8 22" UVC Lamps**
- 24x24x4" Antimicrobial Pleated Prefilter MERV 7**

## SPECIFICATIONS

### **DIMENSIONS**

28W x 28D x 54"H with Negative Pressure Top  
28W x 28D x 68"H with Recirculation Top

### **AIR FLOW**

Full Variable Speed Control  
Up to 1,100 cubic feet per minute at 120V/60 Hz  
Up to 1,000 cubic feet per minute at 220V/50Hz

### **ELECTRICAL**

115V/60hz/1 phase or 220V/50Hz/1 phase  
10.2 Amps at 115V/60hz  
Hospital Grade Plug (Green Dot)

### **TECHNOLOGY**

#### *Filters*

**PREFILTER:** 24 x 24 x 4" Antimicrobial Pleat  
(30% ASHRAE)  
**HEPA FILTER:** 24 x 24 x 11 1/2", High Capacity  
Certified 99.99% DOP, Metal Frame  
Sealed within PAS1100 cabinet

#### *Ultraviolet Germicidal Irradiation*

**QUANTITY:** Eight 22" UV lamps  
**LOCATION:** Directly before (on the dirty side) of  
the HEPA filter.  
**UV DOSAGE:** 26,053 micro-watt sec/cm<sup>2</sup>

### **CONSTRUCTION**

18 Gauge Powder Coated Steel with hinged door access to all components. Four heavy duty 3" casters, two swivel with brake and two straight. Durable rubber handle for easy mobility and navigation. No tools required to change negative pressure to recirculation top.

### **SOUND LEVELS**

High Speed: 65 dBA

**For further informaton:  
BERRIMAN ASSOCIATES  
1-800-480-3630  
www.berriman.com**