

**Airpura**   
AIR PURIFIERS

**600-W**

Central Air Series

***Enjoy the Benefits  
of Clean Air in Every Part of Your Home***

**Simple installation**

The Airpura 600-W air purification unit can be easily installed into your central air system.

The 600-W draws a portion of the main airflow as a by-pass, purifies it and returns the clean air into the system.

Airpura's efficient 560 CFM fan motor ensures that no change in air pressure takes place in your central air system.

**Continuous air purification**

Even when your central air system is turned off the Airpura 600-W will continue to filter and distribute clean air throughout your home.

The continuous purification of the 600-W's high efficiency filtration system will clean the air in your home and eliminate any new pollutants introduced in the normal course of everyday activities.

With the 600-W's variable speed control, you choose the level of purification required: from OFF to MAX.

**Energy savings**

You save on your energy costs and help protect the environment by cleaning and recirculating your indoor air instead of heating or cooling outdoor air.

**6 Filtration Options**

- R600-W *All purpose filtration*
- UV600-W *Microorganisms*
- V600-W *Specific chemicals - VOCS*
- C600-W *Airborne Chemicals*
- H600-W *Particle Filtration*
- P600-W *Comprehensive Filtration*



***The Airpura 600-W  
Series***

**Black Baked Powder Coat Finish  
The Airpura Limited Warranty**

**Long Lasting Filters**

**Carbon filters** typically last up to 2 years depending on use

**Hepa filters** typically last 5 years in regular use.

**Pre-filters** should be changed every 12 months depending on use

***Feel the Difference Breathing Clean Air Makes to Your Health***

# Airpura

## AIR PURIFIERS

# 600-W

## Central Air Series

### Technical Specifications

#### Carbon bed

570 sq in surface area  
x 2 or 3" deep

#### True Hepa Filter

40 sq ft true HEPA  
(Measured 1 side only)  
10 pleats per inch  
Pleats warm rolled  
with separators

#### Air Flow 560 cfm (freeflow)

More cfm than any  
other home unit available

#### Pre-filter

20 sq in x 2 in deep

#### Unit dimensions

25" x 15"

#### Inlet and Outlet Ducts

Standard 5" diameter

#### Weight

50lbs total

#### Voltage Options

115 or 220 volts

#### Watts

120 on high 40 on low

#### ETL Certified

Conforms to  
CSA C22.2 no 113  
ANSI / UL 507

Further information:  
BERRIMAN ASSOCIATES  
1-800-480-3630  
www.berriman.com

### Advanced design for Maximum Efficiency

#### One piece motor / fan assembly

Eliminates vibration problems where separate fan is attached to a shaft with a set screw. Compact motor / fan design allows more space for filtration

#### Motor and electric parts out of the airflow

Other systems blow clean air over the motor and recontaminate it

#### Unique pressure seal

The pressure seal system on the filter chamber ensures that all the impurities pass through the filters. Other systems allow dirty air to escape and fail to achieve their promised HEPA rating of 99.97% filtration

#### Powdercoat steel housing

Robust construction. No plastic vapors.

#### Easy Change Pre-filter Pads

Simply unclip the input pipe and replace the pre-filter pad

#### Activated Carbon Filter

Absorbs airborne chemicals  
noxious gases and odors

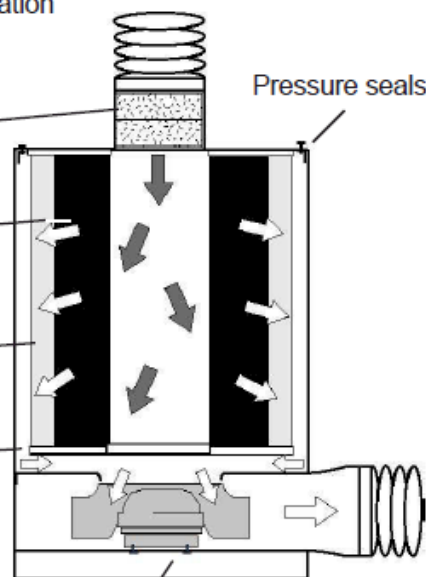
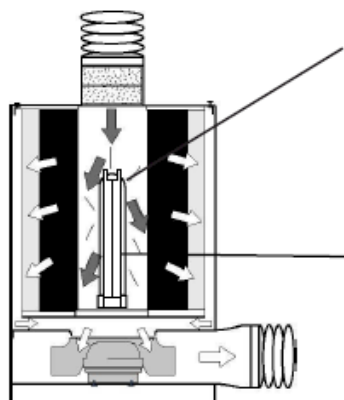
#### True HEPA filter

Traps 99.97% of particles  
as small as 0.3 microns

#### Felt Gaskets

Seal the filter chamber:  
No off gassing from rubber seals

#### UV600-W and P600-W models



#### 20 watt UV lamp

30,000 um per sec squared Sterilizes mold spores,  
micro-organisms antigens and pathogens

#### Lamp situated in filter chamber

Kills organisms as they are trapped by the filters

#### TitanClean Photo-Catalytic Attachment in the P600-W

In conjunction with the UV lamp TitanClean breaks  
down airborne chemicals and reduces them to  
harmless carbon dioxide or water vapor

## 6 Filtration Options

#### R600-W All Purpose Filtration

18lbs Carbon filter, True Hepa filter

#### V600-W Specific Chemicals - VOCS

Enhanced Carbon filter, True Hepa filter

#### H600-W Particle Filtration

True Hepa filter, Hi-C carbon cloth filter,

#### C600-W Airborne Chemicals

26lbs Carbon filter, HepaBarrier filter

#### UV600-W Microorganisms

18lbs Carbon filter, True Hepa filter, UV Lamp

#### P600-W Comprehensive Filtration

18lbs Carbon filter, True Hepa filter, UV Lamp,  
TitanClean Photocatalytic Oxidizer